

CHARTMETER™ 5000



THE FIRST FLOWMETER WITH A
BUILT-IN CHART RECORDER

THE CHARTMETER™

A SINGLE NEMA 4, 4X UNIT INCORPORATING A CHART RECORDER, FLOWMETER & DATALOGGER



NEMA 4, 4X

Eastech Badger design engineers have successfully combined three separate products; a chart recorder, transit-time flowmeter and 8 channel datalogger into a single unit. Engineering and plant personnel may now specify an extremely accurate and cost efficient system to monitor and measure flow in one compact integrated assembly.

The First of its Kind

The Chartmeter 5000 is the first of its kind to be recognized as a single Nema 4, 4X assembly that combines high accuracy flow measurement with onboard chart monitoring of either open channel or closed pipe flow. The Chartmeter 5000 employs IEEE754 single floating point precision in all of its computations. An error of less than 0.0000005% is introduced during any level to flow conversion.

By combining accuracy and reliability with efficient design, the high initial cost of independent junction housings, mandatory wiring and field labor is totally eliminated.

COMPARATIVE COST ANALYSIS (100 ft. run)

OPEN CHANNEL FLOW		CLOSED PIPE FLOW	
CONVENTIONAL METHOD		CHARTMETER™	
FLOWMETER W/ DATALOGGER ¹	\$1849	\$2600 INCLUDED	
CHART RECORDER ²	\$1572	INCLUDED	
INSTALL RECORDER	\$100	N/R*	
130' - 3/4" CONDUIT	\$210	N/R*	
30' - 3 COND. WIRE	\$5	N/R*	
100' - 2 COND. CABLE	\$185	N/R*	
LABOR (ELECTRICAL)	\$1150	N/R*	
TOTAL COST	\$5071	\$2600	
TOTAL COST SAVINGS: \$2,471.00			
CONVENTIONAL METHOD		CHARTMETER™	
TRANSIT-TIME FLOWMETER W/ DATALOGGER ³	\$5483	\$4900 INCLUDED	
CHART RECORDER ²	\$1572	INCLUDED	
INSTALL RECORDER	\$100	N/R*	
130' - 3/4" CONDUIT	\$210	N/R*	
30' - 3 COND. WIRE	\$5	N/R*	
100' - 2 COND. CABLE	\$185	N/R*	
LABOR (ELECTRICAL)	\$1150	N/R*	
TOTAL COST	\$8705	\$4900	
TOTAL COST SAVINGS: \$3,805.00			

¹ Meter cost based on Milltronics® list price. ² Recorder cost based on Chessel® list price. ³ Meter cost based on Panametrics® list price. * Not Required

EASTECH COMBINES THREE PRODUCTS INTO ONE COST-EFFECTIVE UNIT THAT ELIMINATES CONDUIT RUNS, WIRING, AND INSTALLATION COSTS

M
O
D
E
L

5
0
2
2

CHART RECORDER

A fully integrated 1, 7, or 31 day continuous trace circular chart recorder housed in a corrosion and impact resistant Nema 4, 4X enclosure.



OPEN CHANNEL ULTRASONIC FLOWMETER WITH DATALOGGER

The 5022 is a highly advanced microprocessor-based ultrasonic flow transmitter for extremely accurate measurement of flow in open channels. Since a 10% error in level measurement can result in a 25% error in flow measurement, the high accuracy (0.02") of the Model 5022, especially when utilized for billing purposes, directly translates into dollars.



M
O
D
E
L

5
0
4
4

CHART RECORDER

A fully integrated 1, 7, or 31 day continuous trace circular chart recorder housed in a corrosion and impact resistant Nema 4, 4X enclosure.

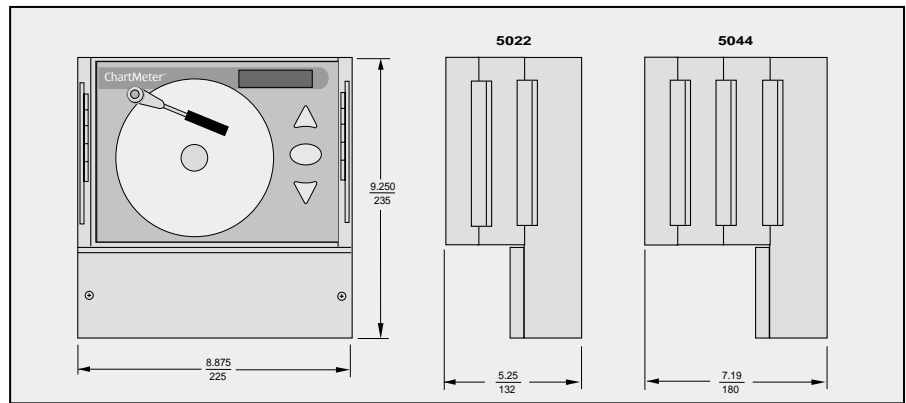


CLOSED PIPE TRANSIT-TIME FLOWMETER WITH DATALOGGER



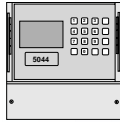
The Model 5044 transit-time flowmeter offers plant operating personnel a highly reliable instrument ($\pm 0.5\%$ of actual rate of flow) that is nonintrusive in design. Simple to install, with a one-piece Speedrail™ sensor mounting system and factory pre-programmed for ease of start-up, the 5044 Chartmeter will consistently maintain accurate readings over changing process conditions and time.



DIMENSIONAL DATA (inches/mm)



ORDERING GUIDE & SPECIFICATIONS

Chart Recorder	Meter	Sensor	Extra Cable	Options	Data Retrieval	Manhole Flume
 <p>50 Nema 4, 4X IP66 Circular Chart 1 Day 7 Day 31 Day (please specify)</p>	 <p>OPEN CHANNEL FLOW</p> <p>22 Nema 4, 4X IP66 3 YEAR WARRANTY One 4-20 mA RS 232/485 2 Relays Datalogger</p>	<p>FB4A Flow/Level (0-25 ft) PVC (30' cable)</p> <p>FB2A Flow/Level (0-16 ft) Tefzel (30' cable)</p>	<p>50 ft. X</p> <p>100 ft. Y</p> <p>200 ft. Z</p>	<p>Factory Calibrated A</p> <p>Heater & Thermostat B</p> <p>Keylock C</p> <p>Splice Kit D</p> <p>Relays (3) P (4) G (5) H</p>	<p>Modem (phone line) M</p> <p>Profibus E</p> <p>DeviceNet F</p>	<p>4" MF4</p> <p>6" MF6</p> <p>8" MF8</p> <p>10" MF10</p> <p>12" MF12</p>
	For Operating and Suggested Specifications, see Chartmeter 5022 brochure					
 <p>CLOSED PIPE FLOW</p> <p>44 Nema 4, 4X IP66 3 YEAR WARRANTY One 4-20 mA RS 232/485 1 Relay Datalogger</p>	<p>External Strap-On (1" - 42" Dia. Pipe) AS1</p> <p>External Strap-On (48" - 120" Dia. Pipe) AS2</p> <p>External Strap-On (High Temp.: 300°F) AS3</p> <p>Instream (12" - 120" Dia. Pipe) AS4</p> <p>Wetted "Hot Shot" (12" - 120" Dia. Pipe) AS5</p> <p>Windowed (3" - 48" Dia. Pipe) AS6</p> <p>Dual Pipe/Multi-Path contact factory.</p>	<p>Note: Each sensor is equipped with 50 feet of cable as standard.</p> <p>100 ft. Y</p> <p>200 ft. Z</p>	<p>Factory Calibrated A (No Charge)</p> <p>Heater & Thermostat B</p> <p>Keylock C</p> <p>Splice Kit D</p> <p>Relays (2) L (3) P</p>	<p>Modem (phone line) M</p> <p>Profibus E</p> <p>DeviceNet F</p>	<p>Not Applicable</p>	
	For Operating and Suggested Specifications, see Chartmeter 5044 brochure					